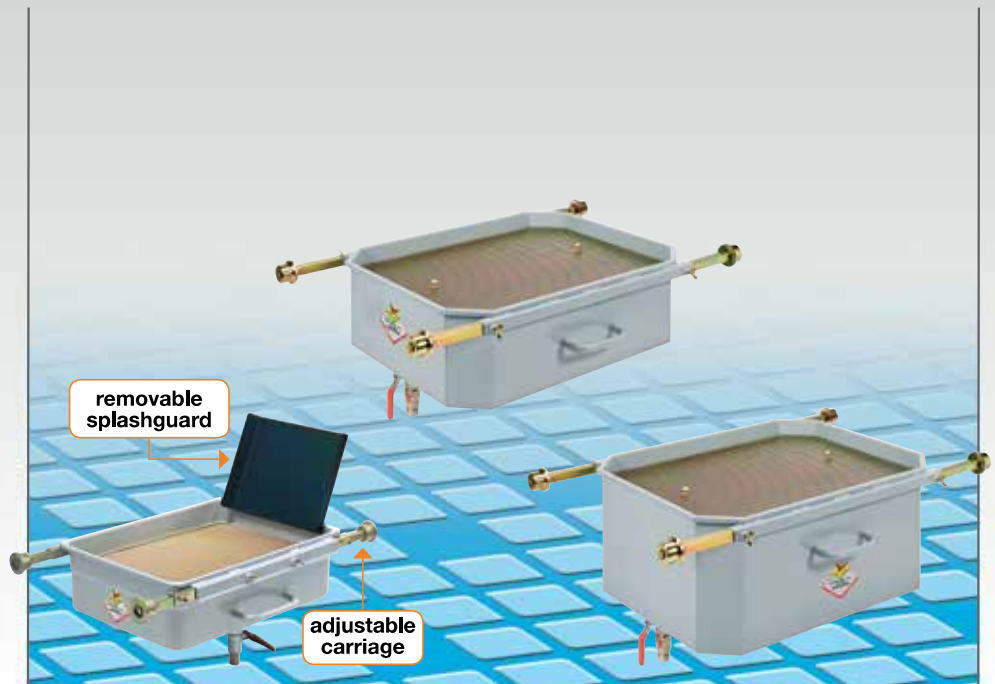
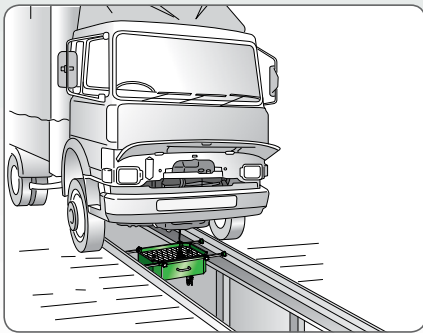




Waste oil pit drainer

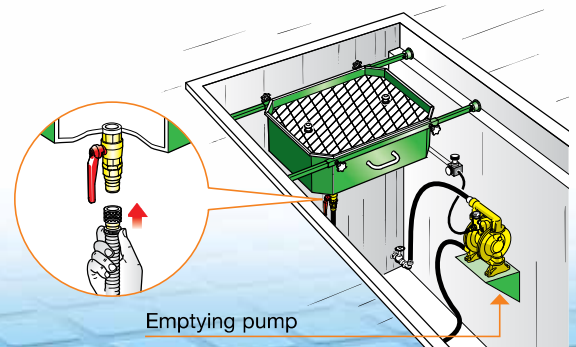
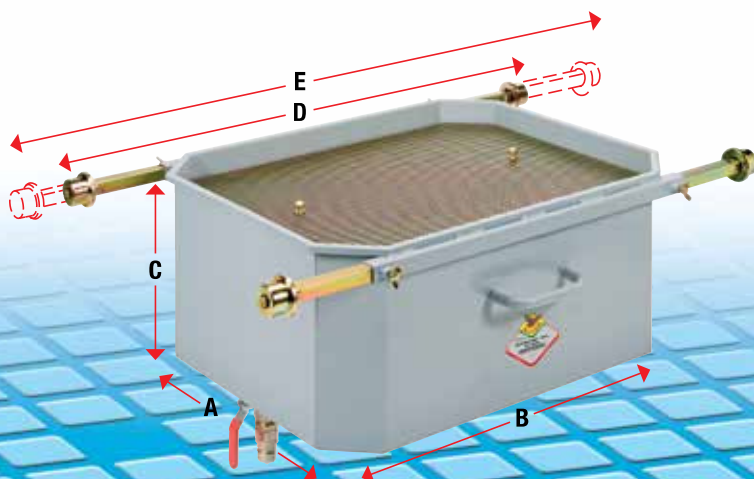
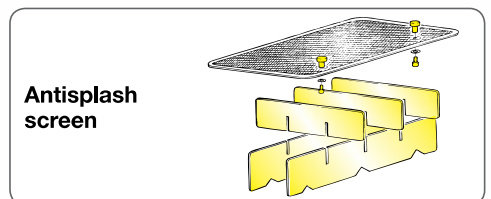
Pit waste oil drainers.

Suitable for gravity draining of engine, gearbox and differential oil from all motor vehicles placed on a pit. Equipped with antisplash screen which can be used as a support for draining oil filters.



| Article | 42059 | 42060 | 42061 | 42062 | 42055 | 42056 |
|---------------------------|-------------------------|---------------------|-------------------------|---------------------|-------------------------|---------------------|
| Tank capacity | 65 | 65 | 110 | 110 | 150 | 150 |
| Wheels | adjustable carriage | adjustable carriage | adjustable carriage | adjustable carriage | adjustable carriage | adjustable carriage |
| Emptying | by suction | by gravity | by suction | by gravity | by suction | by gravity |
| Equipped with | quick-release connector | hose-holder ø 30 | quick-release connector | hose-holder ø 30 | quick-release connector | hose-holder ø 30 |
| Packing | 1 - 0,140 | 1 - 0,140 | 1 - 0,220 | 1 - 0,220 | 1 - 0,270 | 1 - 0,270 |
| Weight | 27,5 | 28 | 39,5 | 40 | 53,5 | 54 |
| Dimensions (A - B - C) cm | 51 - 66 - 22 | 51 - 66 - 22 | 63,5 - 79 - 26,4 | 63,5 - 79 - 26,4 | 63,5 - 79 - 35,7 | 63,5 - 79 - 35,7 |
| Dimensions (D - E) cm | 75 - 120 | 75 - 120 | 84 - 125 | 84 - 125 | 84 - 125 | 84 - 125 |

Caution: do not use with flammable or corrosive liquids



The drained oil can be transferred from the collection bowl to the storage tank by gravity or by using an emptying pump connected to the fixed system