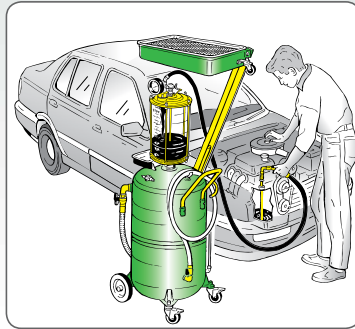
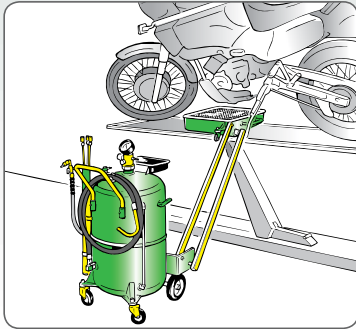




PANTOGRAPH waste oil suction-drainers

moto and cars

Air-operated combination suction-drainer (50 litre) with pantograph collection bowl and wheel-mounted 115 litre tank. Waste oil can be collected whether by gravity, using the recovering basin on the floor or in the upper position if vehicles are over car lift, or by suction through the supplied probes. After depressurisation the drainer works independently without requiring continuous connection to the compressed air system
Suck hot oil at 70 - 80 °C



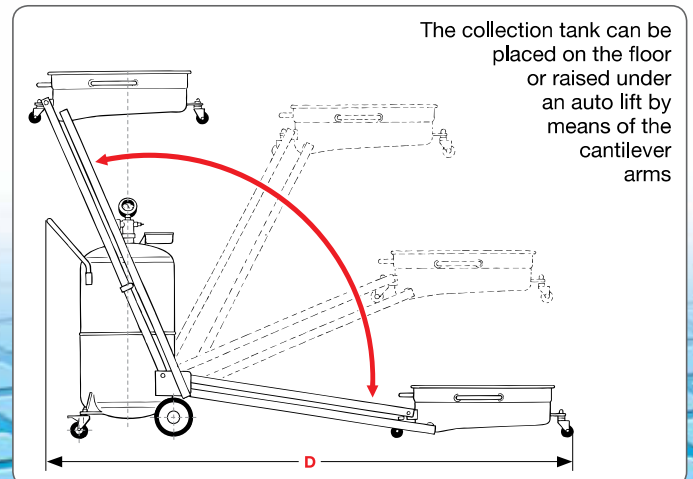
suction-drainers

combination

Article	46064	46065	
Tank capacity	litres	65	65
Max draining capacity	litres	52	52
Prechamber capacity	litres	-	-
Bowl capacity	litres	14	14
Air pressure for depressurisation	bar	-	6,5 - 7
Depressurisation time	min	-	2
Noise level	dB	-	75
Suction speed	l/min	-	1,5 - 2
Total suction capacity	litres	-	43 - 45
Discharging/suction hose	m	2	2/2
Max pressure for draining	bar	0,5	0,5
Set of probes	Art.	-	45560
Packing	N° - m ³	3 - 0,247	4 - 0,310
Weight	kg	38,2	42,7
Dimensions (A - B - C)	cm	57 - 49 - 100	57 - 49 - 100
Max dimensions (D)	cm	200	200



Caution: do not suck brake fluids, fuels, flammable or corrosive liquids



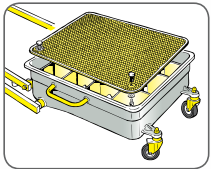
cars

trucks

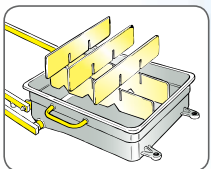


suction-drainers	combination	with prechamber	with collecting basin (50 litres)
46114	46115	46116	46215
115	115	115	115
97	97	97	97
-	-	8	-
14	14	14	50
-	6,5 - 7	6,5 - 7	6,5 - 7
-	3 - 3,5	3 - 3,5	3 - 3,5
-	75	75	75
-	1,5 - 2	1,5 - 2	1,5 - 2
-	85 - 90	85 - 90	85 - 90
2	2/2	2/2	2/2
0,5	0,5	0,5	0,5
-	45560	45560	45560
3 - 0,360	4 - 0,420	4 - 0,420	4 - 0,5
51	54	58	68
65 - 58 - 150	65 - 58 - 150	65 - 58 - 150	70 - 62 - 156
240	240	240	255

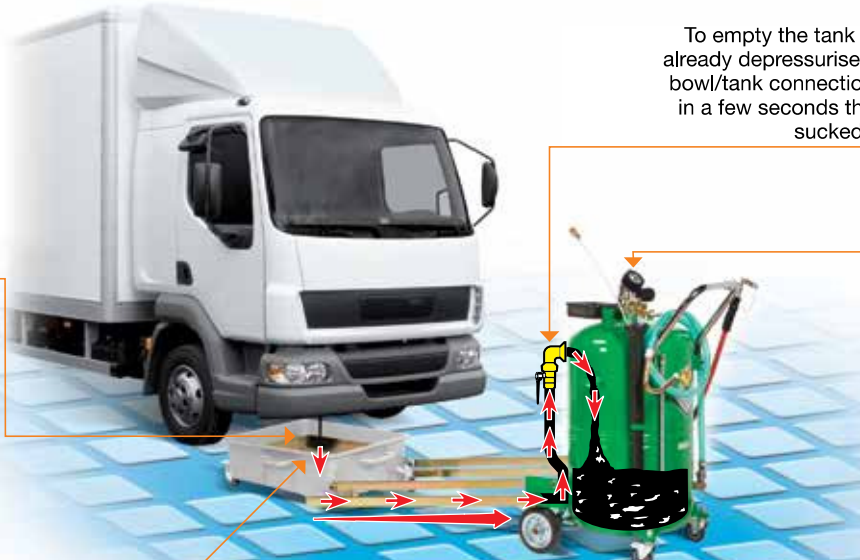
Details and advantages



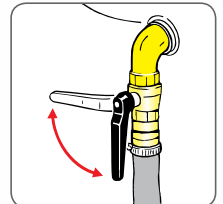
Protection screen/filter splash guard and support base for filter



Tank with antisplash



To empty the tank with device already depressurised, open the bowl/tank connection cock and in a few seconds the oil will be sucked in the tank



The air pressure for correct depressurisation is between **6,5 and 7 bar**