



KITS



PUMPS



METERS



METERED NOZZLES



NOZZLES



WASTE OIL EQUIPMENTS

VISCO FLOWMAT

FEATURES

- ON DEMAND FLOW
- ELECTRONIC PRESSUR SWITCH
- BUILT-IN SECURITY VALVE
- HIGH PRESSURE

The PIUSI VISCOFLOWMAT is an electric gear pump suitable for transferring high viscosity oils. This self-priming pump is equipped with a pressure switch that features an automatic pump switch-off at the end of the delivery.

PERFORMANCE

UP TO

14 L/MIN

FLOW RATE

12-25 BAR

PRESSURE

BELOW

70 DB

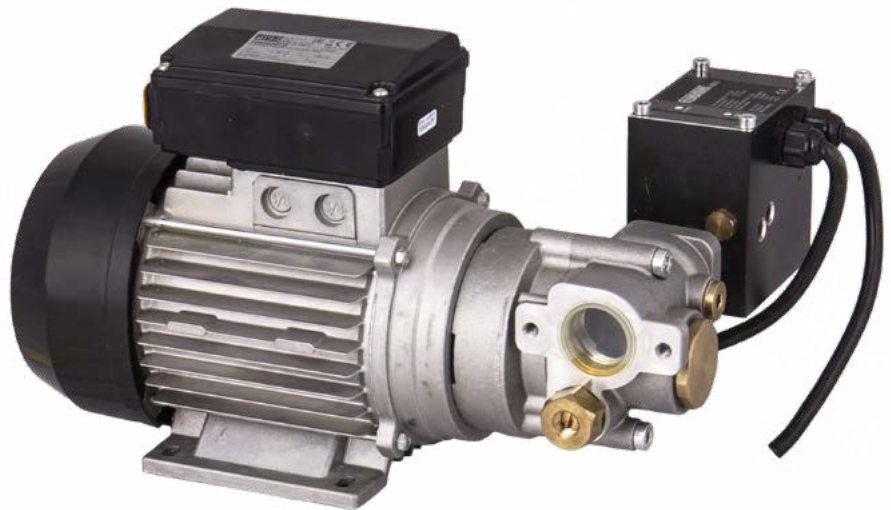
NOISE LEVEL*

UP TO

2000

CST

VISCOSITY



VISCOFLOWMAT



PACKAGING

CODE	WEIGHT		PACKAGING			
	KG	LBS	MM	INCH	PCS/PALLET	PCS/BOX
FO030200D	12	26,5	360X360X300	14,2X14,2X11,8		1
FO030204D	15	33,1	360X360X300	14,2X14,2X11,8		1
FO030206D	15	33,1	360X360X300	14,2X14,2X11,8		1

The engine is considered exempt from energy efficiency specifications in accordance with Article 2(2)(a) of Regulation (EU) 2019/1781



FILTRATION



FLUID MONITORING



TANK MONITORING



HOSE REELS



ACCESSORIES



MERCHANDISE

INDEX



AIR



ANTIFREEZE



AdBlue®



BIODIESEL



DIESEL



FOOD



GASOLINE



GREASE



KEROSENE



OIL



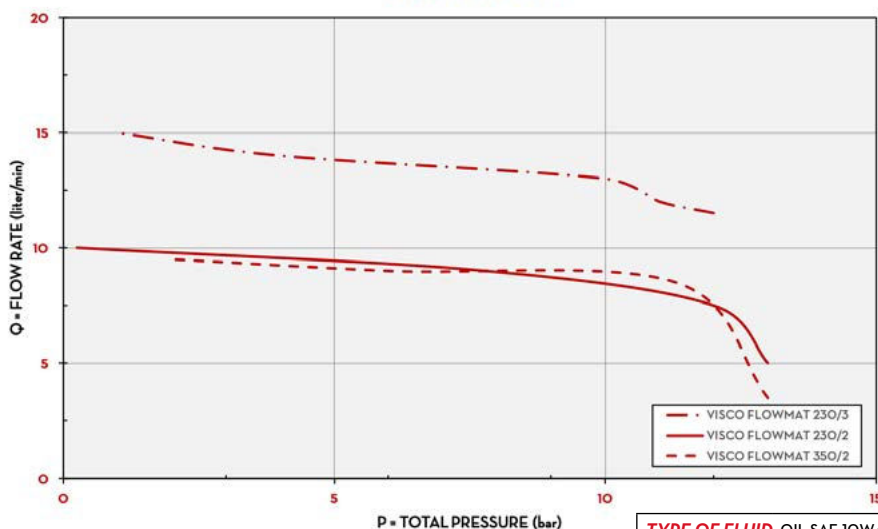
WATER



WINDSCREEN

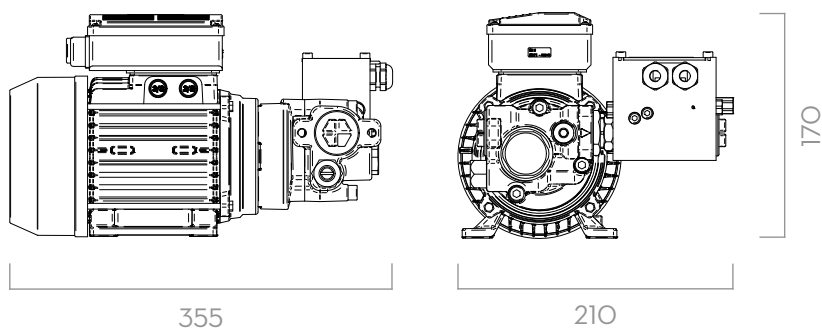
CHART

VISCO FLOWMAT



TYPE OF FLUID OIL SAE 10W40
TEMPERATURE 20 °C

DIMENSIONS



Dimensions expressed in millimeters

IN THE BOX

- VISCOMAT GEAR PUMP
- ANTI-SIPHON KIT
- KIT FLOWMAT
- INSTRUCTION MANUAL

DETAILS



ON/OFF SWITCH



ADJUSTABLE BYPASS



PRESSURE SWITCH

MATERIALS

- BODY: CAST IRON
- GEARS: SINTERED STEEL
- SHAFT: STEEL
- BYPASS: BRASS

TECHNICAL DATA

CODE	DESCRIPTION	FLUIDS TYPE	FLOW RATE		WORKING PRESSURE		VOLTAGE			RPM	INLET OUTLET BSP	BYPASS VALVE
			L/MIN	GPM	BAR	PSI	MOTOR V./ HZ	POWER WATT	AMP. MAX.			
FO030200D	VISCO FLOWMAT 200/2		9	2,4	12	170	230-50/60	800	3,8	1450	1" BSP	YES
FO030204D	VISCO FLOWMAT 230/3		14	3,7	16	227	230-50/60	1200	6	1450	1" BSP	YES
FO030206D	VISCO FLOWMAT 350/2		9	2,4	25	355	230-50/60	1250	6	1450	1" BSP	YES

*MEASURING MADE WITH PUMP ASSEMBLED OVER DRUM TAKEN FROM 1 METER DISTANCE WITHOUT ANY ENVIROMENTAL NOISES.

VISCOFLOWMAT