



CAR FILLING



DISPENSERS



PUMPS



METERS



NOZZLE METERS



NOZZLES

OCIO

FEATURES

- **READY TO USE**
- **BUILT-IN DISPLAY**
- **STAINLESS STEEL PROBE**

OCIO is the Piusi's tank level indicator specifically designed for AdBlue® thanks to its stainless steel probe.

PERFORMANCE

up to
4MT
height
TANK

1%
full scale
ACCURACY

up to
50 MT
length
PROBE TUBE

up to
30 CST
VISCOSITY



OCIO



10 METERS HOSE



STAINLESS STEEL PROBE

PACKAGING

CODE	WEIGHT		PACKAGING		
	KG	LBS	MM	INCH	PCS/BOX
FO0755140	2,2	4,8	300X410X100	11,8X16,1X3,9	1



FILTRATION



FLUID MONITORING



HOSE REELS



ACCESSORIES



MERCHANDISE

PIUSI

INDEX



AIR



ANTIFREEZE



AdBlue®



BIODIESEL



DIESEL



FOOD



GASOLINE



GREASE



KEROSENE



OIL

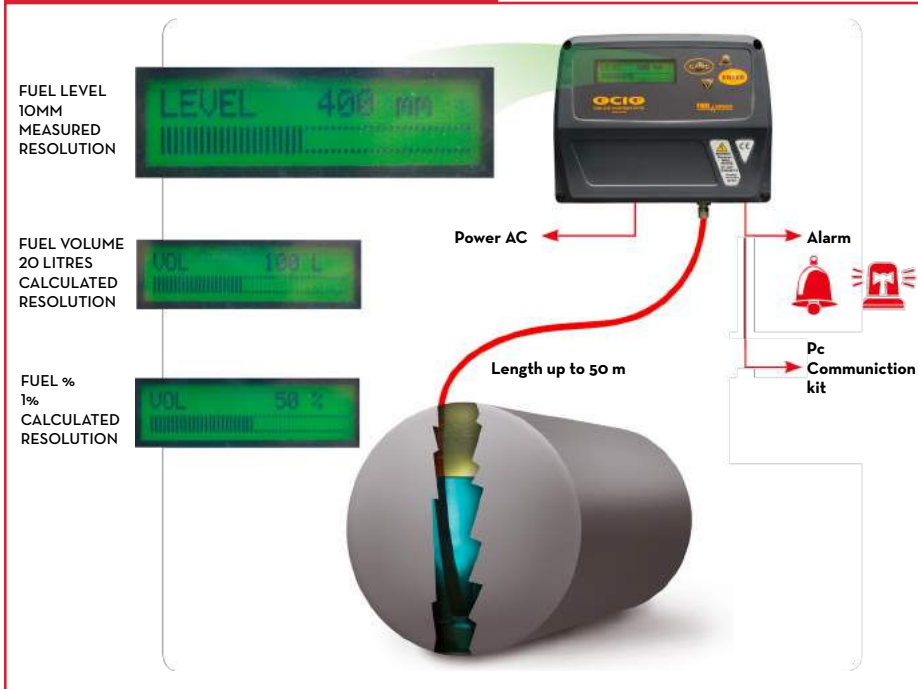


WATER



WINDSCREEN

FUNCTIONING



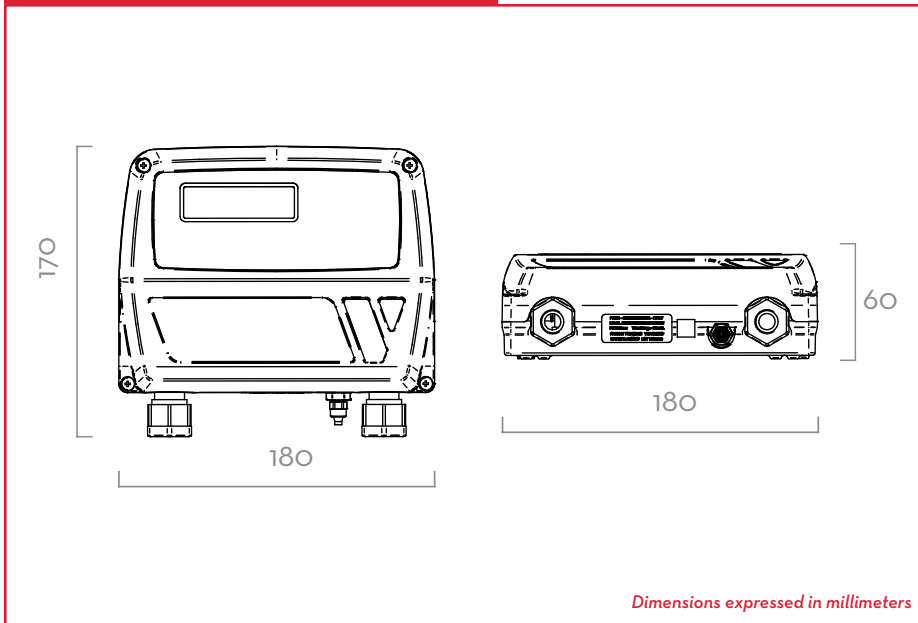
IN THE BOX

- OCIO UNIT
- PROBE
- 10 MT TUBE
- INSTRUCTION MANUAL

DETAILS



DIMENSIONS



MATERIALS

- PROBE: STAINLESS STEEL
- TUBE: TECHNOPOLYMER

TECHNICAL DATA

CODE	DESCRIPTION	FLUIDS TYPE	VISCOSITY		VOLTAGE		RS EXIT
			cSt	AC V/HZ	POWER WATT	AVAILABLE	
FO0755140	OCIO UREA	A B D O W	UREA	230/50	20	AVAILABLE	

OCIO