



CAR FILLING



DISPENSERS



PUMPS



METERS



NOZZLE METERS



NOZZLES

SUZZARABLU BOX

FEATURES

- EASY TO INSTALL
- READY TO USE
- BUILT-IN LOCK

The PIUSI Suzzarablue Box is specifically designed for wall or tank installation. Is equipped with a metallic box which allows to lock up all the equipment.

PERFORMANCE

UP TO

32 L/MIN

FLOW RATE

AC V. / Hz

230/50

VOLTAGE

POWER

± 1%

ACCURACY

20 MIN

DUTY CYCLE



SUZZARABLU BOX



PACKAGING

CODE	WEIGHT		PACKAGING		
	KG	LBS	MM	INCH	PCS/BOX
FOO20196B	25	55,1	575X320X607	22,6X23,9	1



FILTRATION



FLUID MONITORING



HOSE REELS



ACCESSORIES



MERCHANDISE



AIR



ANTIFREEZE



AdBlue®



BIODIESEL



DIESEL



FOOD



GASOLINE



GREASE



KEROSENE



OIL

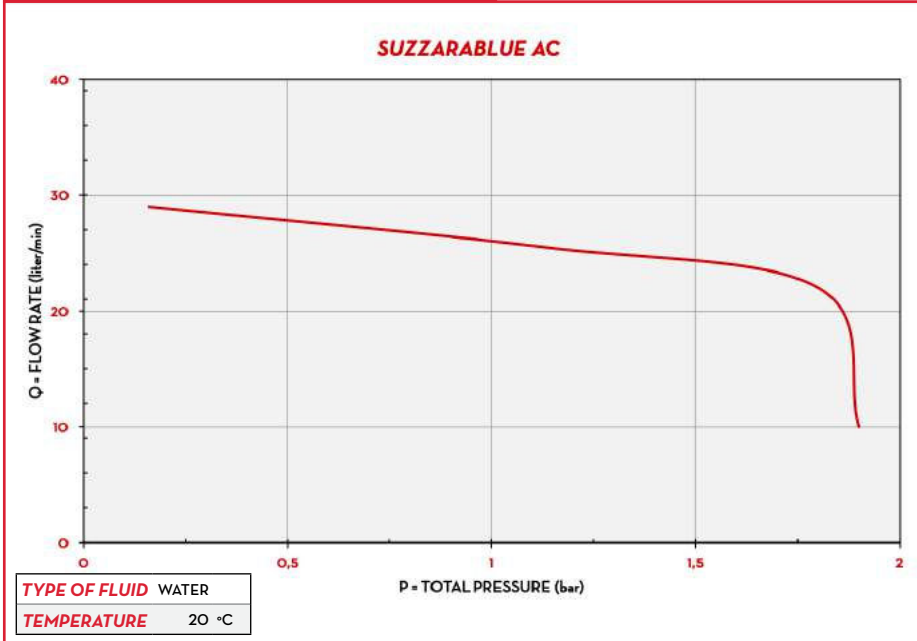


WATER



WINDSCREEN

CHARTS



IN THE BOX

- SUZZARBLUE PUMP AC UNIT
- K24 METER
- NOZZLE
- INSTRUCTION MANUAL

DETAILS



K24

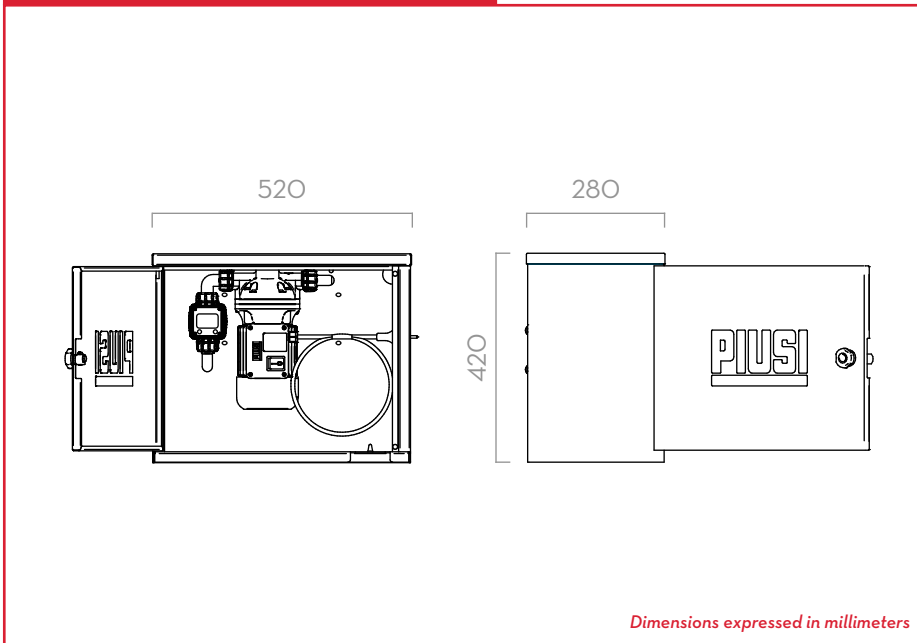


AUTOMATIC NOZZLE



FOOT VALVE

DIMENSIONS



MATERIALS

- **PUMP:**
SUZZARBLUE PUMP AC PAG. 40
- **METER:**
K24 METER PAG. 64
- **NOZZLE:**
SUZZARBLUE A60 PAG. 86

TECHNICAL DATA

CODE	DESCRIPTION	FLUIDS TYPE	FLOW-RATE		VOLTAGE			METER	NOZZLE	HOSE LENGTH	
			L/MIN	GPM	AC V/ HZ	DC VOLT	POWER WATT				AMP. MAX.
FOO20196B	SUZZARBLUE BOX		32	8,5	230/50		400	1,95	K24	SUZZARBLUE NOZZLE A60	6 M

SUZZARBLUE BOX