



CAR FILLING



FUEL MANAGEMENT SYSTEMS



KITS



PUMPS



METERS



METERED NOZZLES

SUZZARABLUE 3 BASIC

FEATURES

- **STURDY DESIGN**
- **RELIABILITY AND PERFORMANCE EVEN IN SUB-OPTIMAL SITUATIONS**
- **DISPENSIGN ALWAYS GUARANTEED**
- **ADBLUE® IS NEVER CONTAMINATED**
- **PERFECT FOR ALL CONDITION AND APPLICATIONS**
- **ERGONOMIC CONNECTION TO IBC**
- **WIDE RANGE OF CONFIGURATION POSSIBILITIES**

PIUSI SUZZARABLUE 3 BASIC, best seller in its range, is the PIUSI kit for IBC tanks specific for refilling AdBlue®. Suitable for all working conditions, SUZZARABLUE 3 BASIC is sturdy, reliable and safe over time. It is available in AC/DC version, it is equipped with the SUZZARABLUE PUMP, the 3D FILTER (in the PURE versions) and an automatic or manual nozzle.

PERFORMANCE

UP TO

35 L/MIN

FLOW RATE

AC/DC

VOLTAGE

POWER

6M

LENGTH

DELIVERY HOSE

20MIN

DUTY CYCLE



SUZZARABLUE 3 BASIC



PACKAGING

CODE	WEIGHT		PACKAGING		
	KG	LBS	MM	INCH	PCS/BOX
FO0101400	14,5	32	480X390X310	19,3X15,4X12,2	1
FO0101480	14,5	32	480X390X310	19,3X15,4X12,2	1
FO0101540	14,5	32	480X390X310	19,3X15,4X12,2	1
FO0101470	14,5	32	480X390X310	19,3X15,4X12,2	1
FO0101450	14,5	32	480X390X310	19,3X15,4X12,2	1
FO0101460	14,5	32	480X390X310	19,3X15,4X12,2	1
FO0101410	14,5	32	480X390X310	19,3X15,4X12,2	1
FO0101550	14,5	32	480X390X310	19,3X15,4X12,2	1



NOZZLES



FILTRATION



TANK MONITORING



HOSE REEL



ACCESSORIES



MERCHANDISE



AIR



ANTIFREEZE



AdBlue®



BIODIESEL



DIESEL



FOOD



GASOLINE



GREASE



KEROSENE



OIL

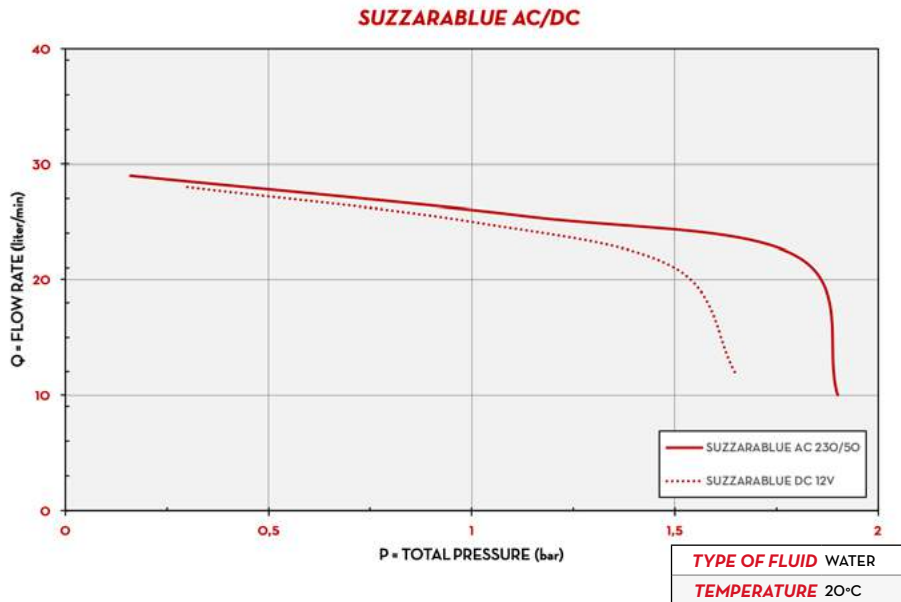


WATER

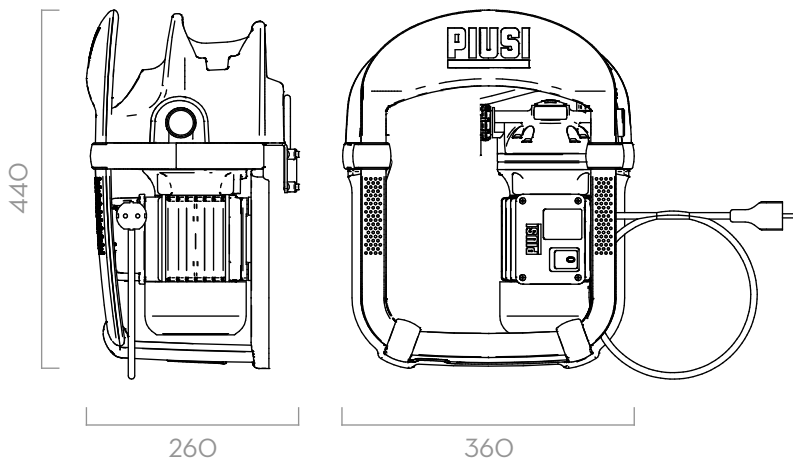


WINDSCREEN

CHART



DIMENSIONS



Dimensions expressed in millimeters

IN THE BOX

- SUZZARABLU 3 UNIT
- SUCTION & DELIVERY HOSE
- MANUAL/AUTOMATIC NOZZLE
- SEC CONNECTOR (*)
- 3D FILTER (ON SELECTED VERSION)
- INSTRUCTION MANUAL

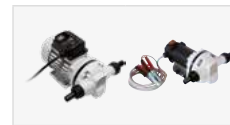
DETAILS



SB325_X, MANUAL NOZZLE**



3D FILTER AVAILABLE



AC/DC PUMPS



SEC CONNECTOR AVAILABLE*

COMPONENTS

- **PUMPS:**
 - SUZZARABLU PUMP AC PAG. 70
 - SUZZARABLU PUMP DC PAG. 72
- **NOZZLE:**
 - SB325_X PAG. 116
 - SUZZARABLU A60 PAG. 118
 - SUZZARABLU MANUAL NOZZLE PAG. 120
- **FILTER:**
 - 3D FILTER PAG. 126

TECHNICAL DATA

CODE	DESCRIPTION	FLUIDS TYPE	FLOW RATE		VOLTAGE	METER	NOZZLE	3D FILTER	IBC CONNECTOR	HOSE	
			L/MIN	GPM						POWER	TYPE
FO0101400	SUZZ.BLUE3 BASIC 12V M.NOZ	(Ad) (W)	35	9,3	12V	NO	MANUAL	NO	SEC	1,5 M Ø20	6 M Ø20
FO0101480	SUZZ.BLUE3 BASIC PURE 12V M.NOZ	(Ad) (W)	35	9,3	12V	NO	MANUAL	YES	SEC	1,5 M Ø20	6 M Ø20
FO0101540	SUZZ.BLUE3 BASIC 230/50 A60	(Ad) (W)	35	9,3	230V 50HZ	NO	A60	NO	SEC	1,5 M Ø20	6 M Ø20
FO0101470	SUZZ.BLUE3 BASIC PURE 230/50 A60	(Ad) (W)	35	9,3	230V 50HZ	NO	A60	YES	SEC	1,5 M Ø20	6 M Ø20
FO0101450	SUZZ.BLUE3 BASIC 230/50 M.NOZ	(Ad) (W)	35	9,3	230V 50HZ	NO	MANUAL	NO	SEC	1,5 M Ø20	6 M Ø20
FO0101460	SUZZ.BLUE3 BASIC PURE 230/50 M.NOZ	(Ad) (W)	35	9,3	230V 50HZ	NO	MANUAL	YES	SEC	1,5 M Ø20	6 M Ø20
FO0101410	SUZZ.BLUE3 BASIC 230/50 SB325	(Ad) (W)	35	9,3	230V 50HZ	NO	SB325_X	NO	SEC	1,5 M Ø20	6 M Ø20
FO0101550	SUZZ.BLUE3 BASIC PURE 230/50 SB325	(Ad) (W)	35	9,3	230V 50HZ	NO	SB325_X	YES	SEC	1,5 M Ø20	6 M Ø20

*OTHER CONNECTORS AVAILABLE: AF2/EXTERNAL SUCTION

** OTHER NOZZLE AVAILABLE: SUZZARABLU A 60

SUZZARABLU 3 BASIC