



KITS



PUMPS



METERS



METERED NOZZLES



NOZZLES



WASTE OIL EQUIPMENTS

PICO

FEATURES

- **READY TO USE**
- **DRUM INSTALLATION**
- **TURBINE FLOW-METER (K24 VERSION ONLY)**
- **WEATHER PROOF MATERIALS**
- **STURDY DESIGN**
- **MULTI PURPOSE DISPENSERS**

The PIUSI PICO is a dispensing unit suitable to transfer antifreeze and windscreen. It includes a centrifugal pump ready to be fitted on any kind of drum.

PERFORMANCE

UP TO
35 L/MIN

FLOW RATE

AC/DC

VOLTAGE

POWER

± 1%

ACCURACY



PICO 12 K24 METER



PACKAGING

CODE	WEIGHT		PACKAGING			
	KG	LBS	MM	INCH	PCS/PALLET	PCS/BOX
WITH METER						
FO0202020	4,8	10,6	360X360X180	14,2X14,2X7,1		1
FO0202060	4,8	10,6	360X360X180	14,2X14,2X7,1		1
FO0202100	4,8	10,6	360X360X180	14,2X14,2X7,1		1
WITHOUT METER						
FO0202000	4,5	9,9	360X360X180	14,2X14,2X7,1		1
FO0202040	4,5	9,9	360X360X180	14,2X14,2X7,1		1
FO0202080	4,5	9,9	360X360X180	14,2X14,2X7,1		1



FILTRATION



FLUID MONITORING



TANK MONITORING



HOSE REELS



ACCESSORIES



MERCHANDISE

INDEX



AIR



ANTIFREEZE



AdBlue®



BIODIESEL



DIESEL



FOOD



GASOLINE



GREASE



KEROSENE



OIL

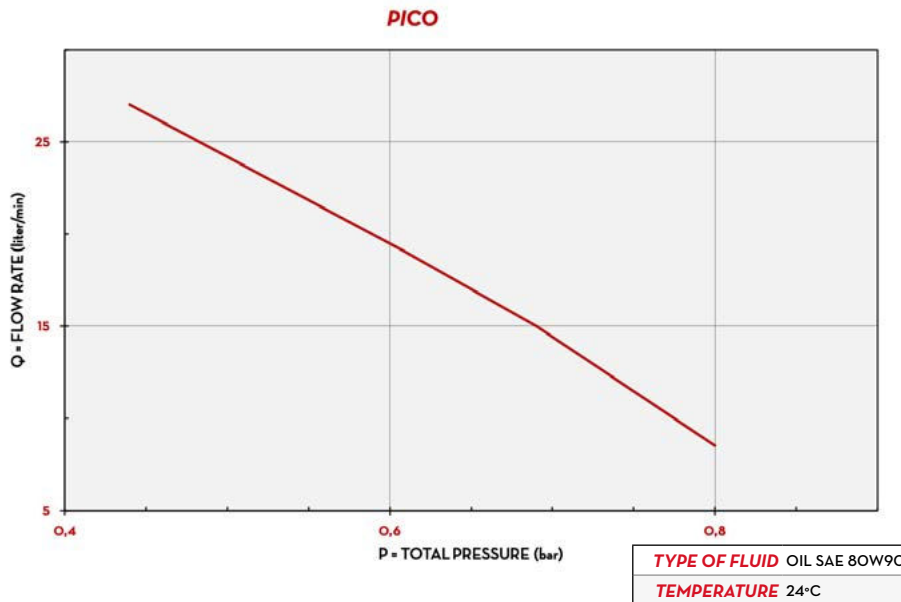


WATER

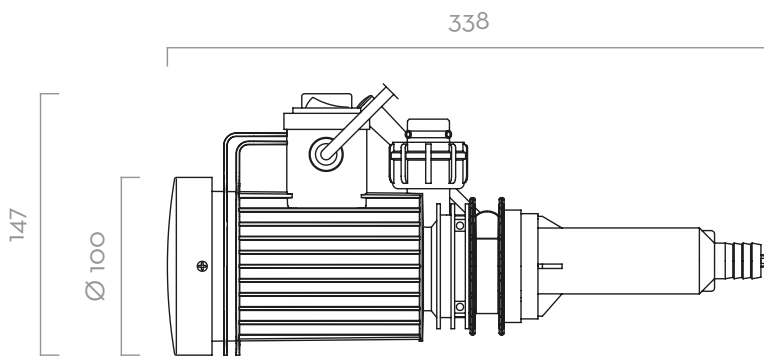


WINDSCREEN

CHART



DIMENSIONS

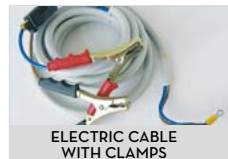


Dimensions expressed in millimeters

IN THE BOX

- PICO PUMP
- K24 METER (METER VERSION OLNY)
- INSTRUCTION MANUAL

DETAILS



MATERIALS/COMPONENTS

- **METER, K24:**
BODY: ALLUMINIUM
GEARS: TECHNOPOLYMER
- **MANUAL NOZZLE:**
BODY: ALLUMINIUM
SEAL: VITON
- **PUMP:**
BODY: TECHNOPOLYMER
TURBINES: TECHNOPOLYMER

TECHNICAL DATA

CODE	DESCRIPTION	FLUIDS TYPE	METER	FLOW RATE		AC VOLT	DC VOLT	DUTY CYCLE	ON/OFF SWITCH	CABLES	NOZZLE	INLET/OUTLET
				L/MIN	GPM							
WITH METER												
FOO202020	PICO230 K24 M		K24	35	9	230/50	-	-	YES	YES	MAN.	-
FOO202060	PICO12 K24		K24	30	8	-	12	30	YES	YES	MAN.	-
FOO202100	PICO24 K24 M		K24	30	8	-	24	30	YES	YES	MAN.	-
WITHOUT METER												
FOO202000	PICO230 M		-	35	8	230/50	-	-	YES	YES	MAN.	-
FOO202040	PICO12 M		-	30	8	-	12	30	YES	YES	MAN.	-
FOO202080	PICO24 M		-	30	8	-	24	30	YES	YES	MAN.	-

PICO

DRUM

19