

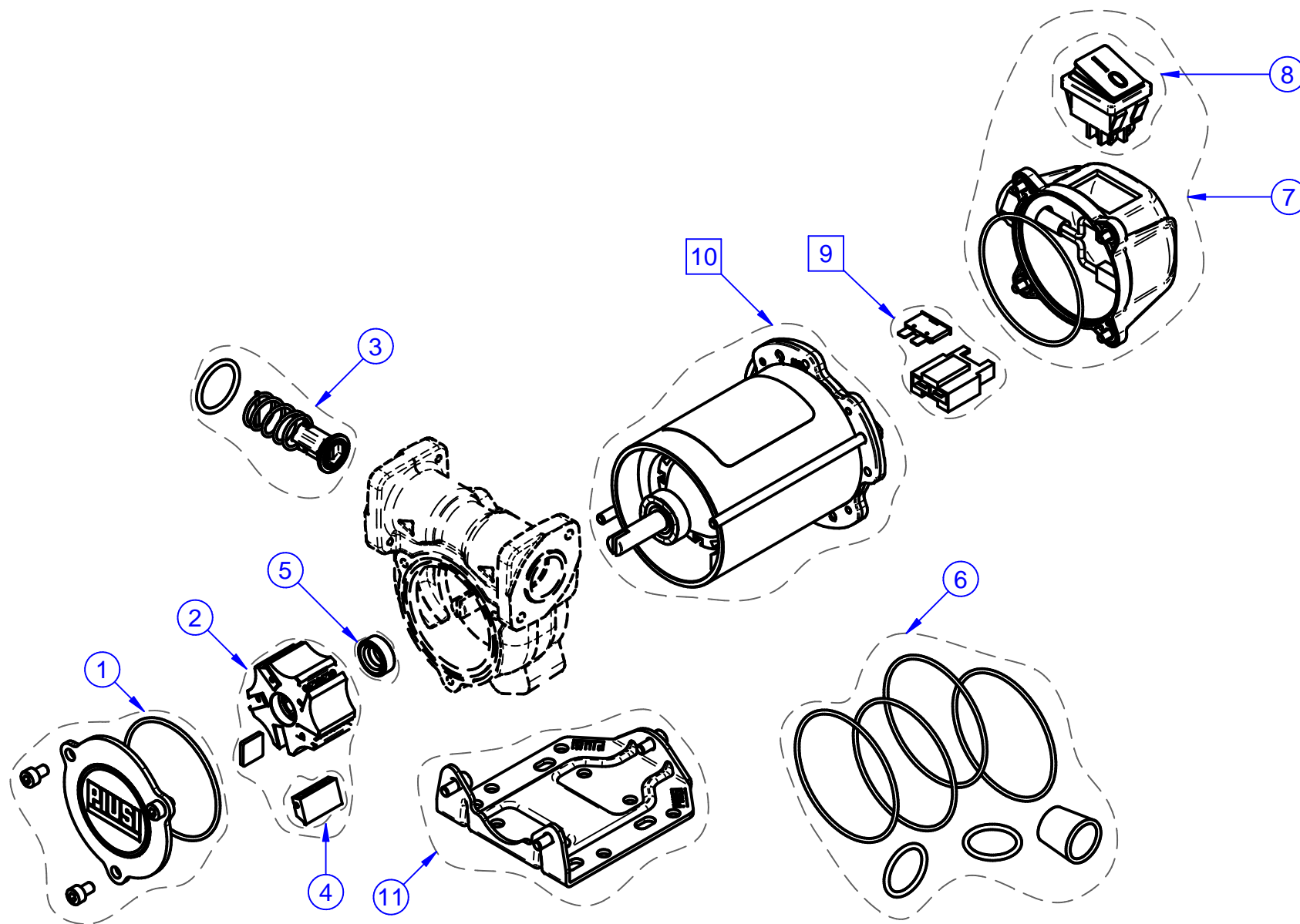


Some components may vary in shape and color or not be present. Always follow codes and quantity shown in list. ○ fixed components □ variable components - - - only reference

Spare part

	F00358500	1	BP3000 24V INLINE 3/4' BSP*	Item in Production 
	F1728900A	2	KIT TERMINAL BOX+2M CABLE W/CLAMP 12-24V*	
	F1617400A	3	KIT PUMP SUPPORT BP3000*	
	F1617500A	4	KIT HANDLE*	
	R1680300A	5	KIT PLATE + HANDLE BP3000*	
	F0643700A	6	HOSETAIL 3/4" x D.20 + OR (20 PCS)*	



Some components may vary in shape and color or not be present. Always follow codes and quantity shown in list. ○ fixed components □ variable components - - - only reference

Spare part

R1608500C	1	KIT CHAMBER COVER BP3000 B100*
R14347000	2	KIT ROTOR w/VANES w/KEY BP3000*
R11789000	3	BP3000 IN LINE BY-PASS VALVE , KIT*
R11287000	4	BP3000 VANE KIT (10 vanes)*
R16075000	5	SHAFT SEAL BP3000*
R16716000	6	KIT OR BP3000*
R1601100B	7	ELECTRICAL BOX WITH SWITCH BP3000*
R16657000	8	BIPOLAR SWITCH 16A 250V*
R09219000	9	24V FUSE, KIT*
R16054000	10	KIT MOTOR BP3000 24V with SUPPORTS*
F1617400A	11	KIT PUMP SUPPORT BP3000*