

LR_P00022

VISCOMAT 230/3 MONOFASE 230V/50Hz
VISCOMAT 230/3 TRIFASE 400V/50Hz
VISCOMAT 350/2 MONOFASE 230V/50Hz
VISCOMAT 350/2 TRIFASE 400V/50Hz
VISCOMAT 200/2 MONOFASE 230V/50Hz
VISCOMAT 200/2 TRIFASE 400V/50Hz

PIUSI

SUBENTRO TENUTA A LABBRO POS. 9 COD. R14984000:

MOTORE MEC 71:

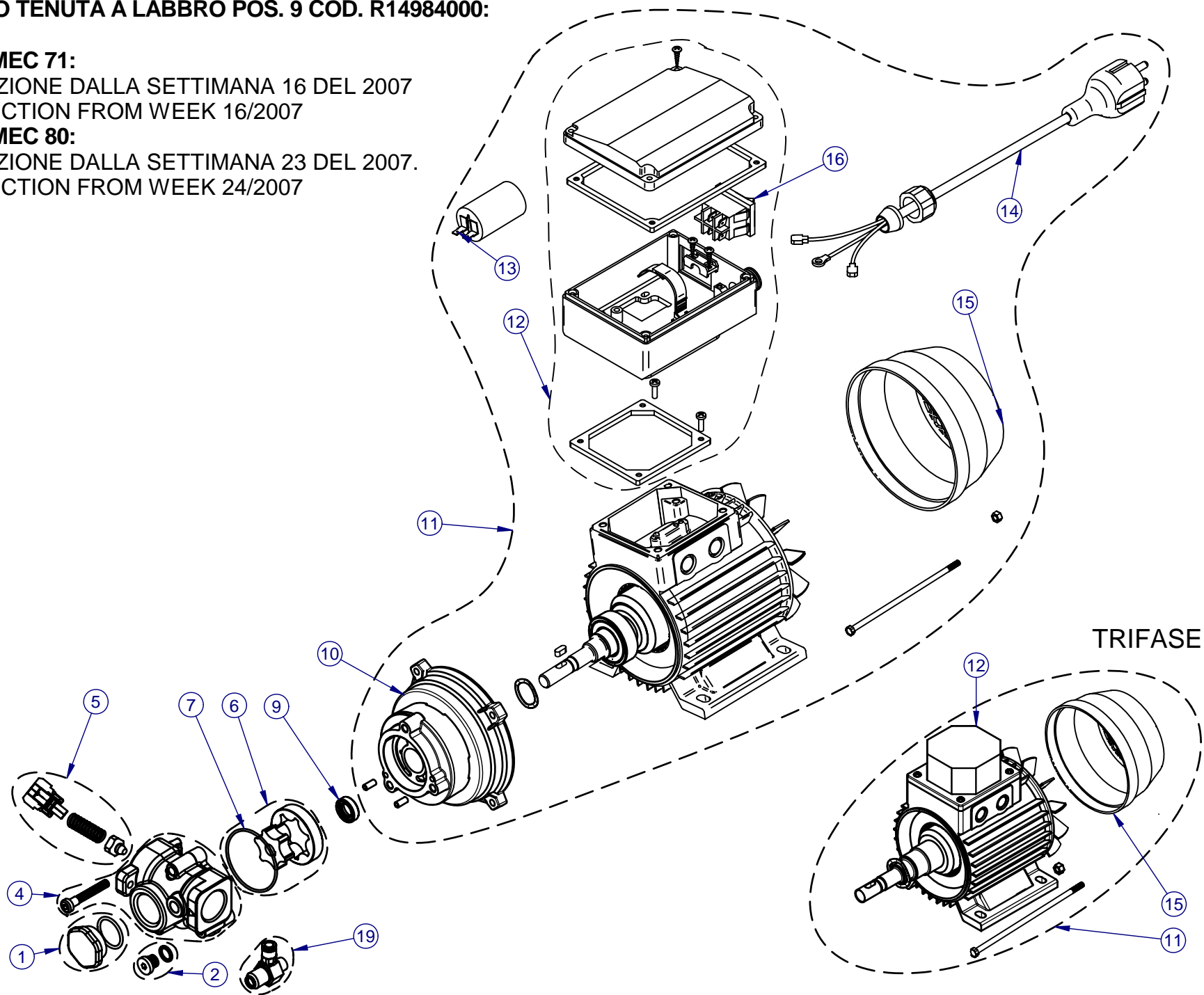
IN PRODUZIONE DALLA SETTIMANA 16 DEL 2007

IN PRODUCTION FROM WEEK 16/2007

MOTORE MEC 80:

IN PRODUZIONE DALLA SETTIMANA 23 DEL 2007.

IN PRODUCTION FROM WEEK 24/2007



Spare part

R13851000	1	GROUP PLUG 1G + GASKET*
R13852000	2	KIT PLUG 1/4G + WASHER*
R13853000	4	KIT HEAD GEAR PUMP 350/2- 200/2-230/3*
R13864000	5	KIT ADJUSTING BY-PASS VALVE*
R13858000	6	KIT ROTOR VISCOMAT 230/3*
R10273000	7	GASKET O-RING (d.60,05 sp.1,78) 70 SH*
R14984000	9	SEAL BABSL 14x24x7/7,5 72 NBR 902*
R1386100D	11	GROUP MOTOR VISC 230/50 -350/2 230/3-*
Ro819600A	12	KIT TERMINAL BOX 1HP 230V / 50Hz*
R12987000	13	CONDENSER 40 microF*
F1290900A	14	SUPPLY CABLE WITH PLUG*
Ro8182000	15	KIT FAN COVER MOTOR MEC 80*
R16657000	16	BIPOLAR SWITCH 16A 250V*
R1127400A	19	KIT PRIMING DEVICE G1/4in*
R22714000	10	KIT ASSEMBLING MEC80 230/3*