



KIT LUBE



DISPENSER



PUMPS



METERS



NOZZLE METERS



NOZZLES

PICO

FEATURES

- **READY TO USE**
- **DRUM INSTALLATION**
- **TURBINE FLOW-METER (K24 VERSION ONLY)**
- **WEATHER PROOF MATERIALS**
- **STURDY DESIGN**
- **MULTI PURPOSE DISPENSERS**

The Piusi Pico is a dispensing unit suitable to transfer antifreeze and windscreen, it includes a centrifugal pump ready to be fitted on any kind of drum.

PERFORMANCE

up to

35 L/MIN

(up to 9gpm)

FLOW RATE

AC/DC

VOLTAGE

POWER

± 1%

ACCURACY



PICO 12 K24 M



PACKAGING

CODE	WEIGHT		PACKAGING			
	KG	LBS	MM	INCH	PCS/PALLET	PCS/BOX
DISPENSERS						
FOO202020	4,8	10,6	360X360X180	14,2X14,2X7,1		1
FOO202060	4,8	10,6	360X360X180	14,2X14,2X7,1		1
FOO202100	4,8	10,6	360X360X180	14,2X14,2X7,1		1
FOO202000	4,5	9,9	360X360X180	14,2X14,2X7,1		1
FOO202040	4,5	9,9	360X360X180	14,2X14,2X7,1		1
FOO202080	4,5	9,9	360X360X180	14,2X14,2X7,1		1



WASTE OIL EQUIPMENTS



FILTRATION



FLUID MONITORING



HOSE REELS



ACCESSORIES



MERCHANDISE

INDEX



AIR



ANTIFREEZE



AdBlue®



BIODIESEL



DIESEL



FOOD



GASOLINE



GREASE



KEROSENE



OIL

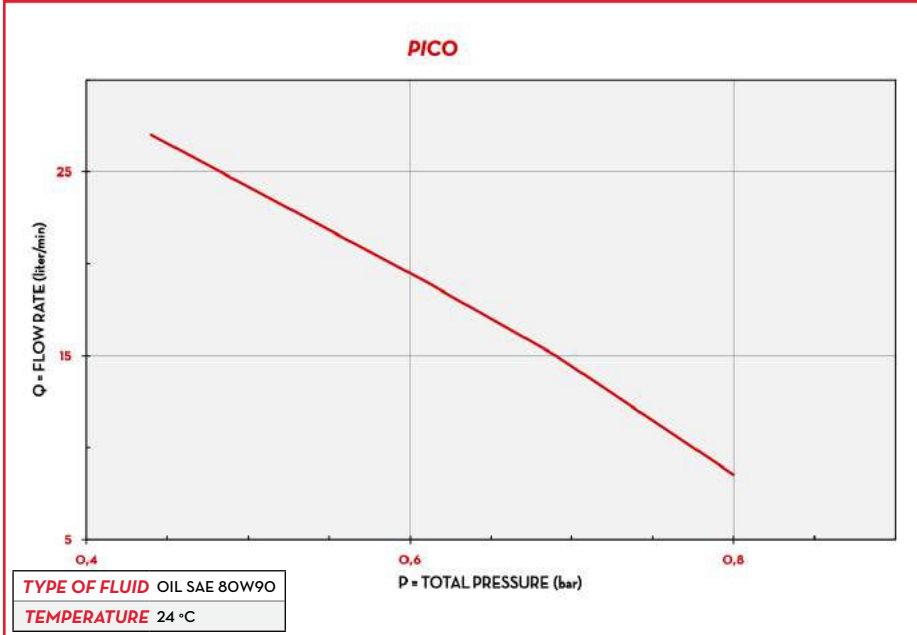


WATER



WINDSCREEN

CHARTS



IN THE BOX

- PICO PUMP
- K24 METER (METER VERSION OLNY)
- INSTRUCTION MANUAL

DETAILS



ON/OFF SWITCH



ELECTRIC CABLE

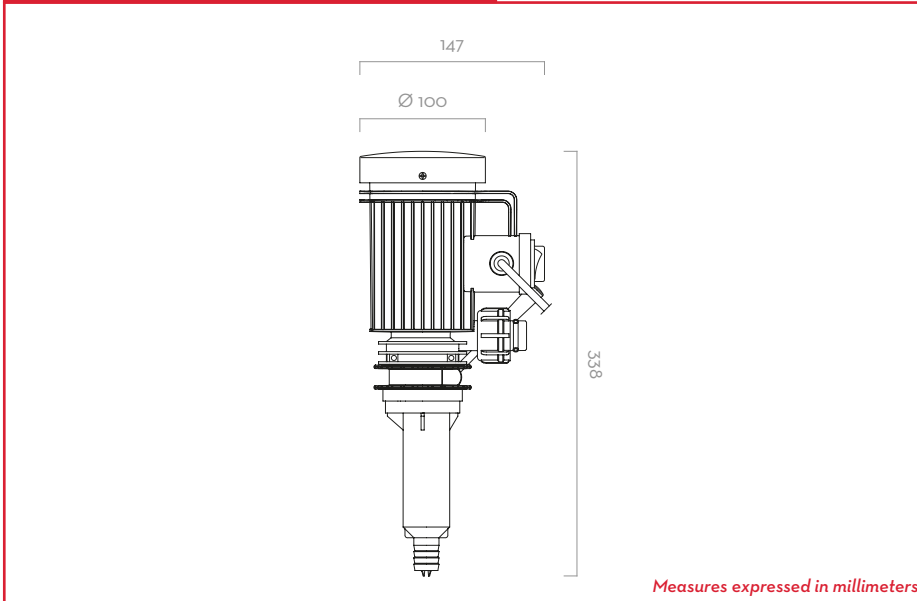


MANUAL NOZZLE



K24 METER

DIMENSIONS



COMPONENTS / MATERIALS

- **METER, K24:**
BODY: ALLUMINIUM
GEARS: TECHNOPOLYMER
- **MANUAL NOZZLE:**
BODY: ALLUMINIUM
SEAL: VITON
- **PUMP:**
BODY: TECHNOPOLYMER
TURBINES: TECHNOPOLYMER

TECHNICAL DATA

CODE	DESCRIPTION	FLUIDS TYPE	METER	FLOW RATE		AC VOLT	DC VOLT	DUTY CYCLE	ON/OFF SWITCH	CABLES	NOZZLE	INLET/OUTLET
				L/MIN	GPM							
DISPENSERS												
FOO202020	PICO230 K24 M	D A	K24	35	9	230/50	-	-	YES	YES	MAN.	-
FOO202060	PICO12 K24	D A	K24	30	8	-	12	30	YES	YES	MAN.	-
FOO202100	PICO24 K24 M	D A	K24	30	8	-	24	30	YES	YES	MAN.	-
FOO202000	PICO230 M	D A	-	35	8	230/50	-	-	YES	YES	MAN.	-
FOO202040	PICO12 M	D A	-	30	8	-	12	30	YES	YES	MAN.	-
FOO202080	PICO24 M	D A	-	30	8	-	24	30	YES	YES	MAN.	-

PICO

DRUM

21